



t750 Product Profile

802.11b/g Wireless
Connectivity

Interface to Existing
Handheld Devices and
Scale Systems

Optional Bluetooth Connectivity

Optional Bar Code Scanner

Symbol Bar Code
Scanning Technology

480 x 272 LCD Color Display

Wireless Upgrades and
Maintenance via
Network

Small Overall Package Size
for Greater Driver Visibility

Flexible Mounting Arrangement
for Greater Ease of Installation

Windows Embedded CE 6.0 R3



t750 wireless mobile terminal

The **t750** is a rugged wireless mobile computer terminal that provides powerful features like 10/100 Wired & 802.11b/g wireless ethernet and bar code scanning, in a compact ergonomically friendly package for Vehicle System Integration.

The terminal features a 4.3" TFT LCD Touch Screen display. The unit is configurable with a fixed rear mount or hand held bar code scanner and Optional BlueTooth Interface.

The **t750** is installed in the vehicle using the RAM mount hardware system. The RAM mount system provides an extremely flexible, reliable, and vibration isolating platform for presenting the terminal to the operator.

The **t750's Windows CE** terminal architecture allows complete flexibility in your software application. System status can be monitored and terminal firmware can be upgraded via the network. Imagine being able to view status, or roll out an upgrade to your entire fleet of equipment without leaving your desk.

Application software provided by **TSWA** will configure the **t750** for your exact application. The **t750** will be the workhorse of your data collection network, providing accurate and reliable data to your remote datacenter through our powerful family software products like **CONFIRM**, **tWeigh**, **IPAC**, and others.

CONFIRM

t750 General Specifications

Confirm PC Software Support

Windows Embedded CE R3 Core or Professional

Hardware Interface

802.11 b/g Wireless Ethernet, and RS-232 Serial Ports USB 2.0 w/ GPS Receiver.

Scale Interface/Support

Weigh-Tronix QTLTSC legal for trade lift truck scale or equivalent with serial weight communication output. Scale data may be accessed by Direct RS-232, or by the Wireless Ethernet Network for Forklift Scales, Multiple Truck or Rail Scale applications.

Display

Color LED Backlit LCD Touch Screen Display (WQVGA) Contrast is software controlled, temperature compensating. White LED backlight w/ software controlled brightness.

Memory

4 GB flash and 256 Mbytes of RAM memory.

Housing

Blended Polycarbonate and Polyester Housing keypad sealed to NEMA 4 standards.

Vibration & Shock

Vibration - 10 to 1500 Hz, 4 g RMS
Shock - 40 g, 11ms, any axis

Bar Code Scanner Specifications:

Scan Source

Motorola DS-457 Video Imager Technology

Scan Angle

Horizontal: Cyclone 34°; Raster 34°
Vertical: Cyclone 34°; Raster 12.5°

Scan Patterns

All Major 1D Barcodes, PDF417, DataMatrix, QR Code, Aztec, Composite Codes and MaxiCod 2D types.

Symbologies

PDF417, MicroPDF, UPC/EAN, Code 39, I 2 of 5, Code 128, Codabar, MSI Plessey, RSS and Composite Codes Bitmap, JPG, TIFF

Environmental:

Ambient Light

Total darkness to 9000 ft. candles (96,900 Lux)

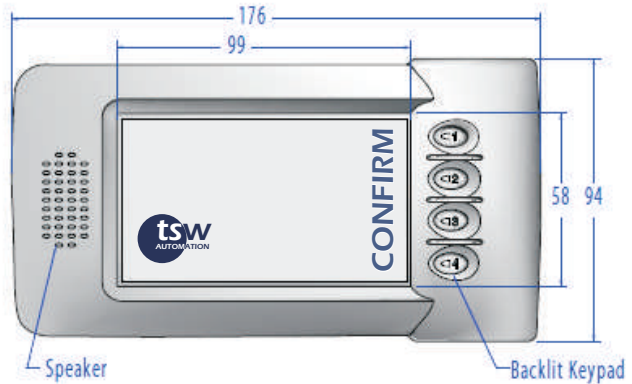
Operating Temperature -2° to 60° C

Storage Temperature -40° to 85° C

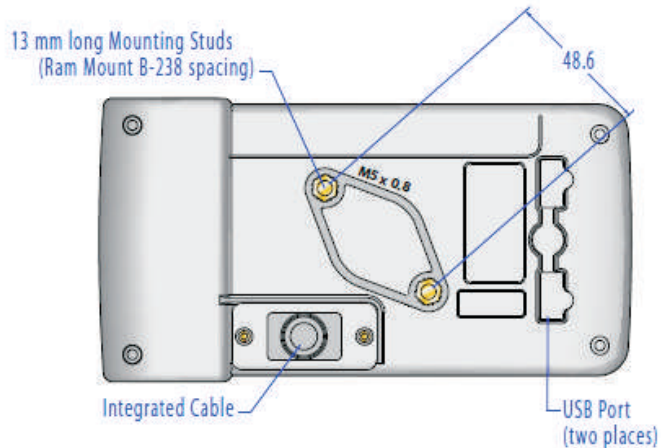
Humidity 0% to 95% non-condensing

Made in the USA

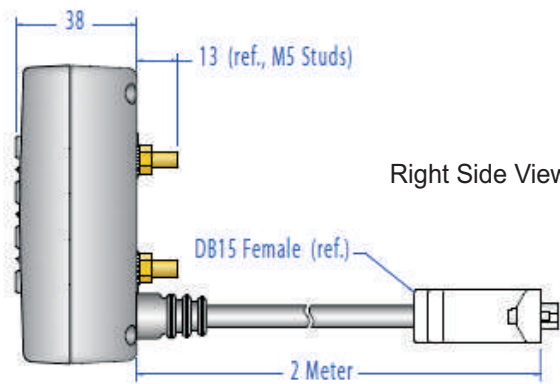
Front View



Rear View



Right Side View



Specifications are subject to change without notice
All rights reserved.
Copyright 2009-2013 TSW Automation, Inc.